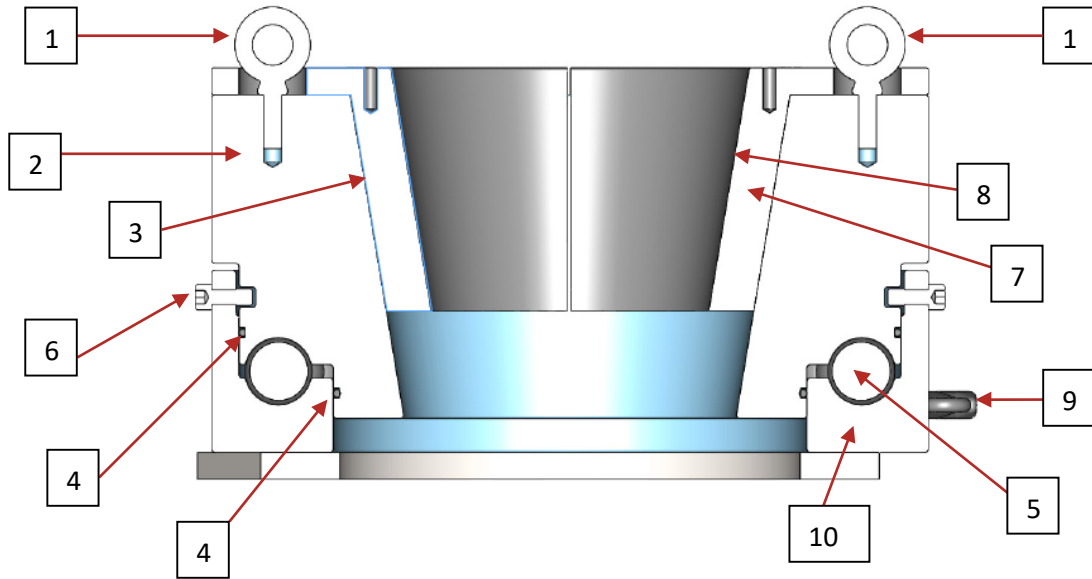


# Casing Spider Table



1. Lifting Eyes: Lifting capacity 5,200 lbs. each.
2. Upper Bowl Body
3. Upper Bowl Taper
4. Bearing Seals
5. Steel Bearing Ball

Dynamic Load Total Bearing: 2,613,600 lbs.

Static Load Total Bearing: 14,553,000 lbs.

6. Retainer Bolts
7. Split Ring Bushing
8. Bushing Taper
9. Chain Hook
10. Lower Body
11. Anti-rotation Lock: (not shown on drawing)

*All tools are custom designed. Customer would receive technical data sheet with actual dimensions, threads and performance data.*



**CORE  
DESIGN**

Building **STUFF** | Solutions To **U**plift **F**ossil **F**uels

3908 - 71 Avenue | Leduc, Alberta T9E 0R8 | (780) 986-4049 | [coredesignltd.com](http://coredesignltd.com)

🇨🇦 Made in Canada | © 2018 Core Design Ltd. All Rights Reserved.