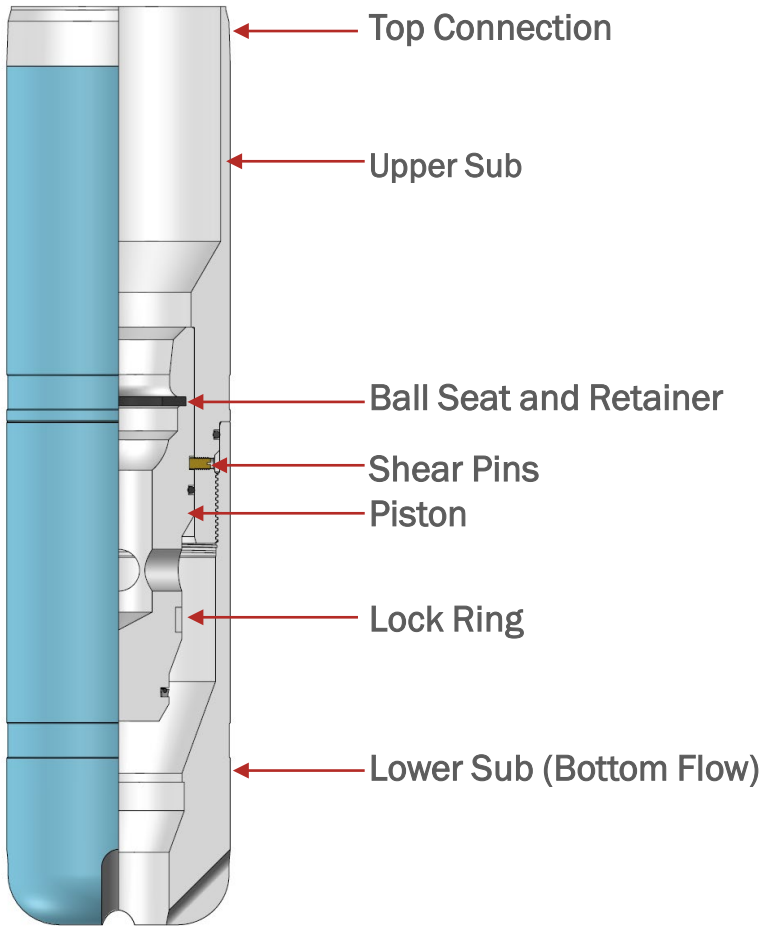


Circulating Bull Nose

Tool Type: CBN

Tool Size: All Tool Sizes



All tools are custom designed. Customer would receive technical data sheet with actual dimensions, threads and performance data.



**CORE
DESIGN**

Building **STUFF** | Solutions To Uplift Fossil Fuels

3908 - 71 Avenue | Leduc, Alberta T9E 0R8 | (780) 986-4049 | coredesignltd.com

🇨🇦 Made in Canada | © 2018 Core Design Ltd. All Rights Reserved.