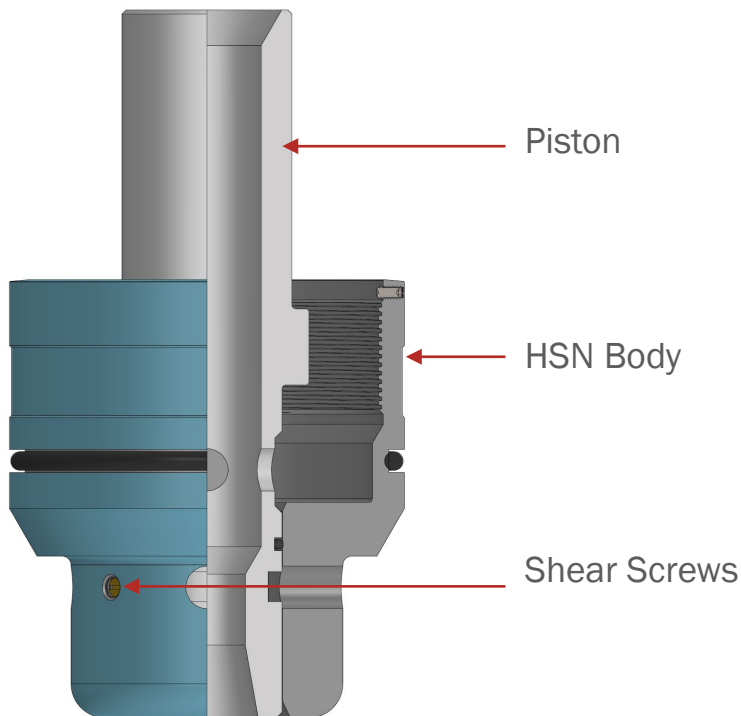


Hydraulic Setting Nose - HP

Tool Type: HSN-HP

Tool Size: All Tool Sizes



**CORE
DESIGN**

Building **STUFF** | Solutions To Uplift Fossil Fuels

3908 - 71 Avenue | Leduc, Alberta T9E 0R8 | (780) 986-4049 | coredesignltd.com

🇨🇦 Made in Canada | © 2018 Core Design Ltd. All Rights Reserved.